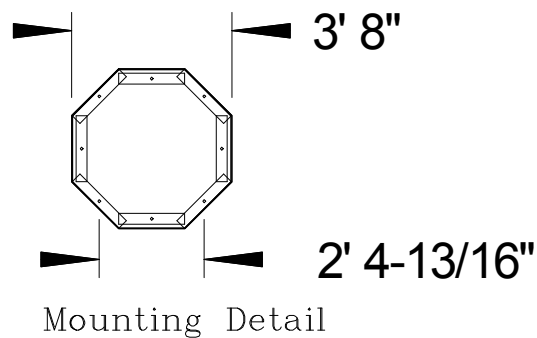


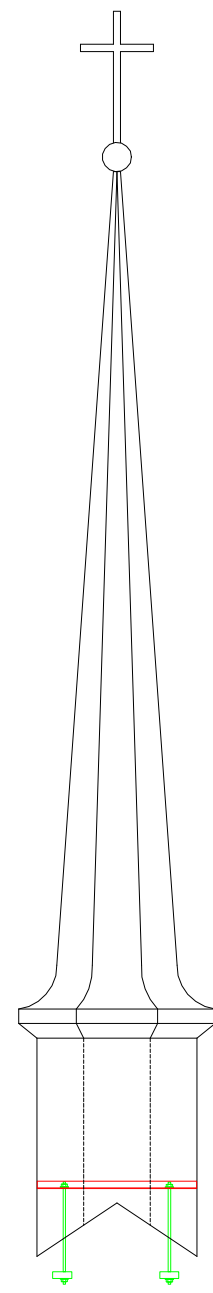
2" square by 36" tall
Pultruded FRP cross



Mounting Detail

Steel Anchor Plate
(2" x 3" x 3/16" angle)
Sealed in FRP

Anchor Rods
1/2" dia. rec.
By Others



Skeleton

Weight: 325#

Elevation



PO Box 6513
High Point, NC 27262
800-736-3113
www.churchoutlet.com

Model
19