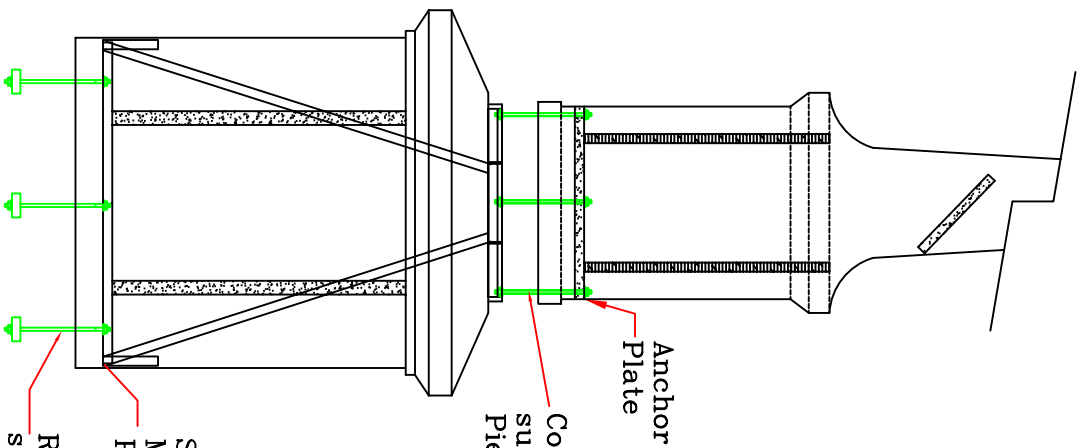


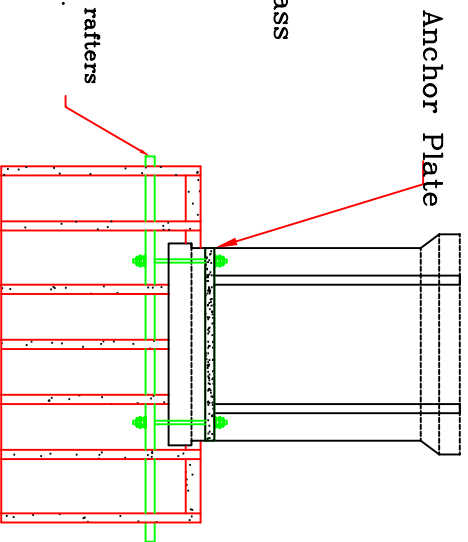
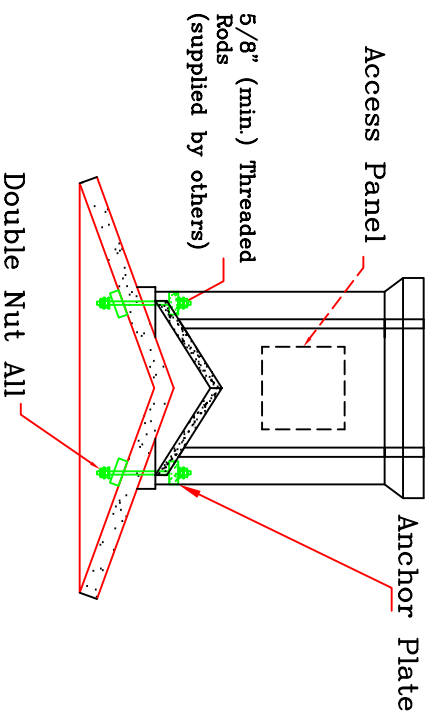
This information is to aid the installer. Piedmont Fiberglass, Inc. will not be responsible for damage caused as a result of the mis-interpretation of this information.



Steel Mounting Plate

Roof Anchor Bolts supplied by others

2"x3"x3/16" angle, should extend two rafters beyond the steeple.



### Installation For Models S & 17 Steeples 300 & 400 Cupolas

