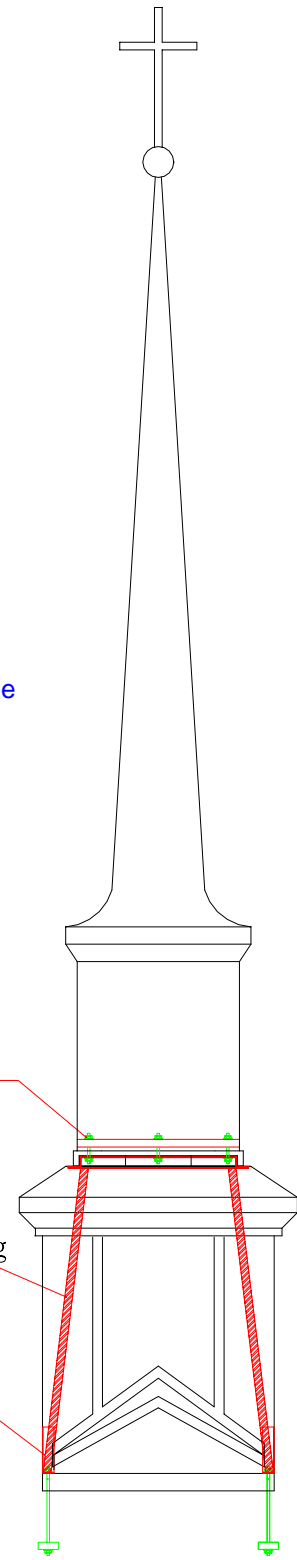
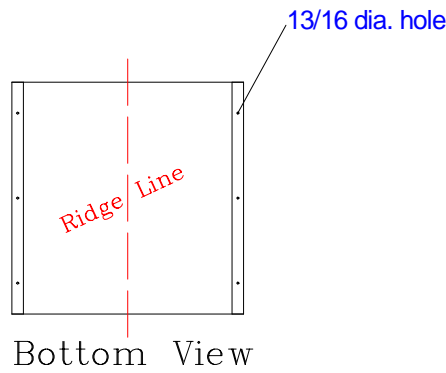


- Base Panels Available Standard:
 Round Louver
 Round Cross
 Octagon Louver
 Octagon Cross
- Base Panels Available Premium:
 Descending Dove
 Praying Hands
 Dove w/ Olive
 Open Bible
 Double Scallops



2" x 2" x 3/16" steel angle bacing

2" x 3" x 3/16" steel anchor plate.

Mounting Hardware
 (Supplied by Others)

Weight: 800#



Note: All Drawings are the property of PFI
 Dimensions and designs may be altered
 to accomodate manufacturing.

PO Box 6513 - High Point, NC 27262
 800-736-3113
 www.churchoutlet.com

Model : 8 - 5

Drawn by: TJD
 Date: 5/1/2000